

**EXHAUST TRACK /
CROSS / STONE**

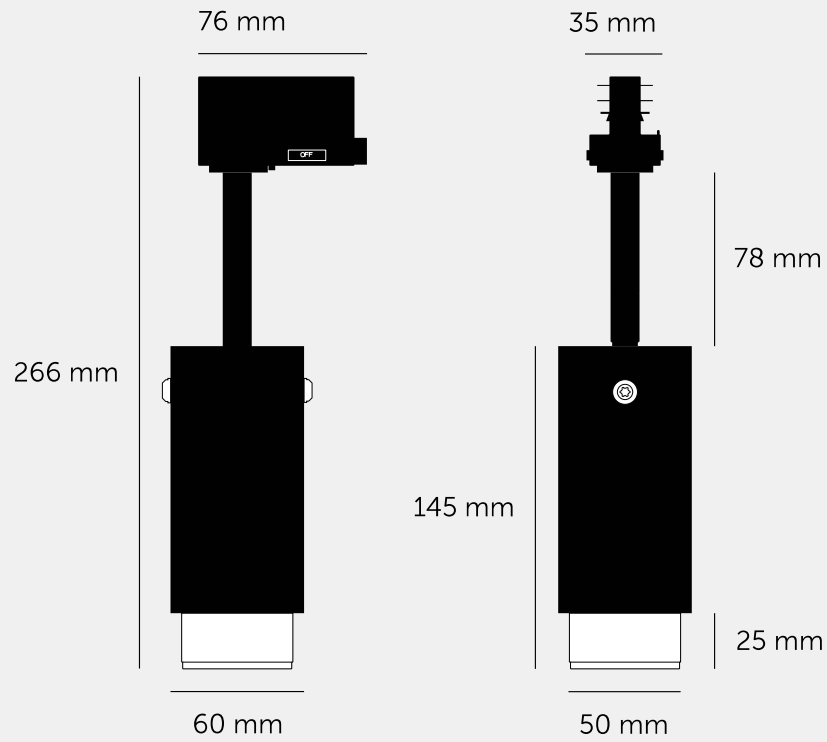
ACTION: SPOTLIGHT

KNURL: CROSS

RANGE: SPOTLIGHTS

A track spotlight with a powder coated metal body and solid metal detailing. The spotlight features our signature solid metal cross-knurl baffle and machined coin screws. The baffle captures light and creates a delicate metallic glow, whilst a honeycomb filter delivers precise, low-glare, directional light. This spotlight is fully adjustable and comes with a black 3-circuit track adapter. Examples of compatible track are Global, Powergear, Eutrac, Nordic, Unipro. The spotlight fits a GU10 bulb, sold separately.





SPECIFICATIONS

Track spotlight
 GU10 / 220-240VAC / IP20
 Max 1 x 9W LED GU10 bulb
 *Bulb sold separately
 CB certified / Class 1

[info. COMPATIBILITY.]

Exhaust track spotlight uses a 3-circuit adapter.
 Examples of compatible track:
 Global, Powergear, Eutrac, Nordic, Unipro

FINISH & SKU NUMBERS

| sku: | finish: | size: |
|-------------|-----------------|-------|
| REIG-224032 | ● black | |
| REIG-254033 | ● brass | |
| REIG-604034 | ● smoked bronze | |
| REIG-234035 | ● steel | |

CARE INSTRUCTIONS

Wipe with lint-free cloth with no loose hairs, avoid using any chemicals. Please note all finishes are prone to aging.

INCLUDED

- 1 x Exhaust Track Body
- 1 x Exhaust Detail Kit
- 1 x Honeycomb Filter
- 1 x Ceiling rose extender

*
 * The following come in separate boxes:
 1 x Baffle*
 2 x Torx Screws*

PLEASE NOTE

DISCLAIMER: Always consult a trade professional when installing this product. Buster + Punch is not responsible for the usage or feasibility of installation requirements. This product is not suitable for damp or wet environments.