

**DETAIL KIT /
DIMMER / LINEAR**

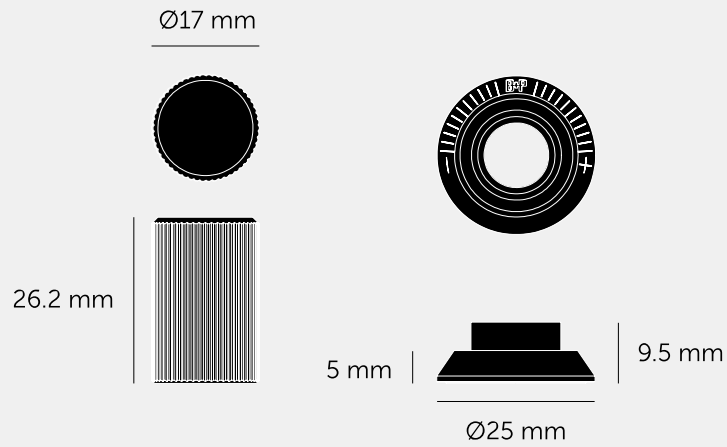
ACTION: DETAIL KIT

KNURL: LINEAR

RANGE: DETAIL KIT

Our NEW Linear knurl dimmer switch detail kit made from solid metal, complete with dimmer nut. To be teamed up with our dimmer modules and wall plates to complete your custom electricity product.





SPECIFICATIONS

Our NEW Linear knurl dimmer switch detail kit made from solid metal, complete with dimmer nut. To be teamed up with our dimmer modules and wall plates to complete your custom electricity product.
Combine with Torx screw plate details to finish your switch.

INCLUDED

1 x Linear Dimmer Knob
1 x Linear Dimmer Cosmetic Nut
1 x Linear Dimmer Lock Nut

FINISH & SKU NUMBERS

sku:	finish:	size:
RDK-024522	● black	1G
RDK-054522	● brass	1G
RDK-454522	● smoked bronze	1G
RDK-074522	● steel	1G
RDK-144522	● white	1G

PLEASE NOTE

DISCLAIMER: Always consult a trade professional when installing this product. Buster + Punch is not responsible for the usage or feasibility of installation requirements. This product is not suitable for damp or wet environments.

CARE INSTRUCTIONS

Wipe with a dry lint free cloth with no loose hairs, avoid using any chemicals. Please note that finishes may age naturally with time and regular use.