

**1G SOCKET /  
SCHUKO TYPE F /  
CROSS / WITHOUT**

---

**ACTION: POWER OUTLET**

---

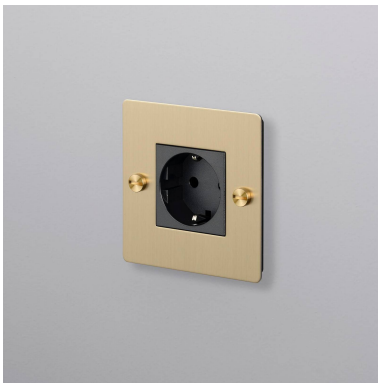
**KNURL: CROSS**

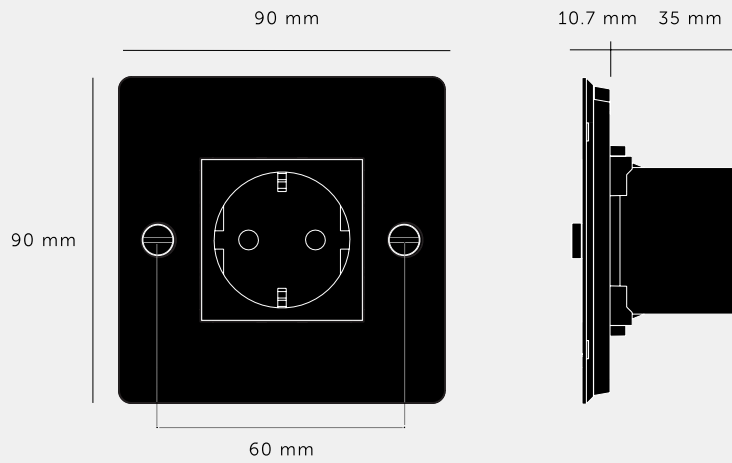
---

**RANGE: POWER OUTLETS**

---

A power outlet finished with a solid metal flat plate and our signature coin or Linear torx screws. Available in five different finishes, they can be used in combination with our matching dimmers and toggle switches.





---

#### SPECIFICATIONS

---

Module Code: CSM-021896/ CSM-141904 (1 per unit)

Style: Schuko Socket Type F

Outlet: 250 V ~ / 50-60 Hz / 16A

\*Certified for use in UK, Europe and Russia: UKCA / CE / EAC

---

#### INCLUDED

---

1 x Wall Plate

1 x Socket Module

1 x Toggle Detail Kit

---

#### FINISH & SKU NUMBERS

---

**finish:**

**size:**

---

#### PLEASE NOTE

---

DISCLAIMER: Always consult a trade professional when installing this product. Buster + Punch is not responsible for the usage or feasibility of installation requirements. This product is not suitable for damp or wet environments.

---

#### CARE INSTRUCTIONS

---

Wipe with a dry lint free cloth with no loose hairs, avoid using any chemicals. Please note that finishes may age naturally with time and regular use.