

**1G DIMMER / 250W  
LED / LINEAR /  
WITHOUT LOGO**

---

**ACTION: DIMMER SWITCH**

---

**KNURL: LINEAR**

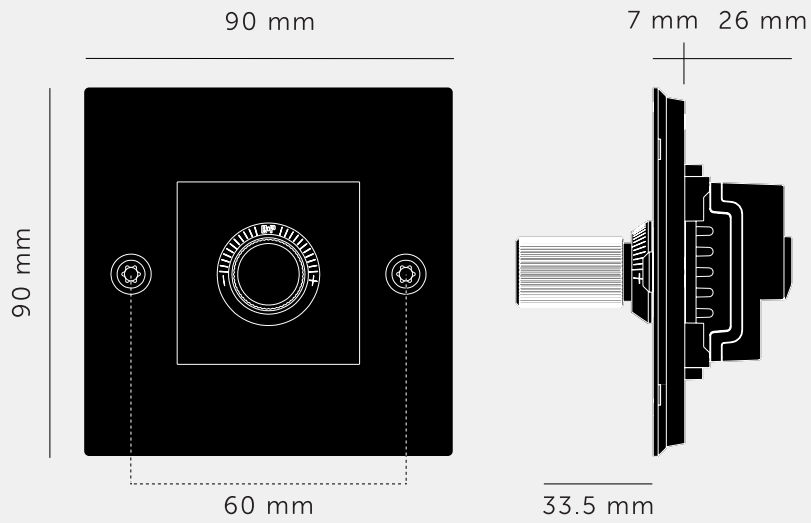
---

**RANGE: DIMMER SWITCHES**

---

A solid metal dimmer switch with diamond-cut or our latest Linear knurling. The switch is finished with a solid metal flat plate and our signature coin/torx screws. Available in five different finishes, they can be used in combination with our matching toggle switches, sockets and USB outlets.






---

#### SPECIFICATIONS

---

Module Code: CDM-142038 (1 per unit)  
 Style: Push ON/OFF rotary dimmer with multi location dimming via retractive switches.  
 Input: 240VAC ~ 50Hz  
 Dimming Type:  
 Auto Detect Trailing / Leading edge dimming  
 10-350W: When used with incandescent lamps  
 3-250W: When used with dimmable LED lamps.  
 Operating Temperature: 0-55 C Humidity: 10-90% R.H .  
 Certified for use in UK, Europe and Russia: UKCA / CE / EAC  
 \*Not compatible with regular retractive switching

---

#### INCLUDED

---

1 x Wall Plate 1 x Dimmer Module 1 x Detail Kit

---

#### FINISH & SKU NUMBERS

---

sku:	finish:	size:
CDR-024181	● black	1G
CDR-054182	● brass	1G
CDR-454183	● smoked bronze	1G
CDR-074184	● steel	1G
CDR-144185	● white	1G

---

#### PLEASE NOTE

---

DISCLAIMER: Always consult a trade professional when installing this product. Buster + Punch is not responsible for the usage or feasibility of installation requirements. This product is not suitable for damp or wet environments.

---

#### CARE INSTRUCTIONS

---

Wipe with a dry lint free cloth with no loose hairs, avoid using any chemicals. Please note that finishes may age naturally with time and regular use.