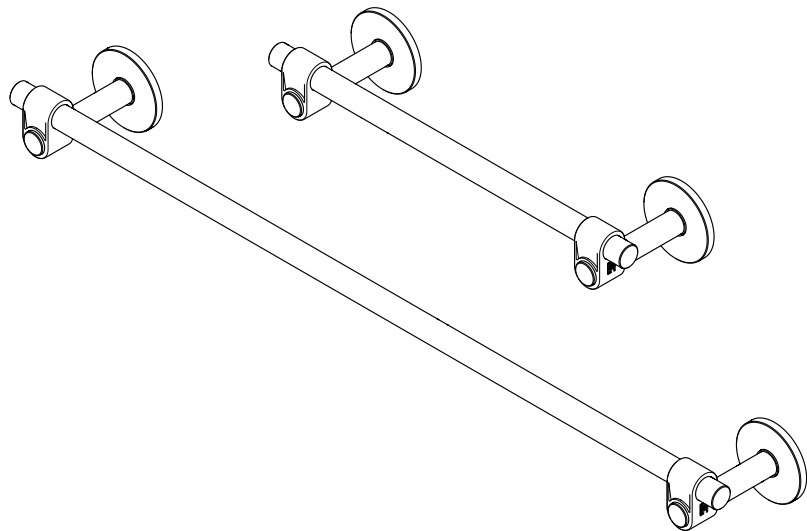
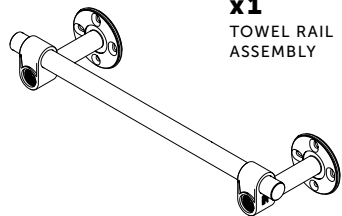


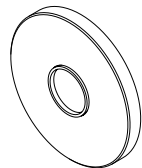
TOWEL RAIL / CAST SMALL / MEDIUM INSTALLATION MANUAL



CONTENTS NOT TO SCALE



x1
TOWEL RAIL
ASSEMBLY



x2
ROSE COVER
PLATE



x2
END CAP

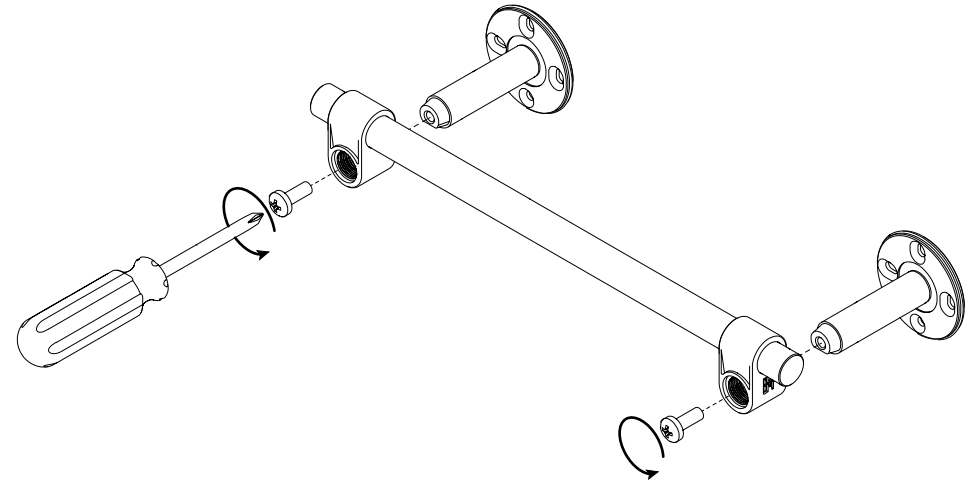


x8
3.5 MM
SCREWS



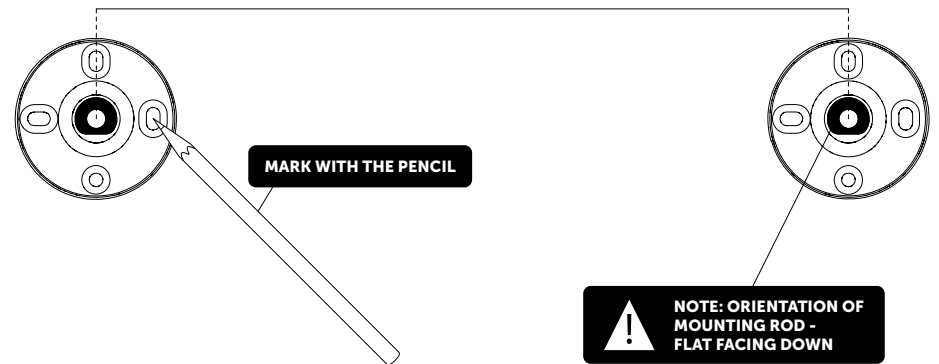
x8
3.5 MM
WALL PLUGS

1 DISASSEMBLE PULL BAR ASSEMBLY.

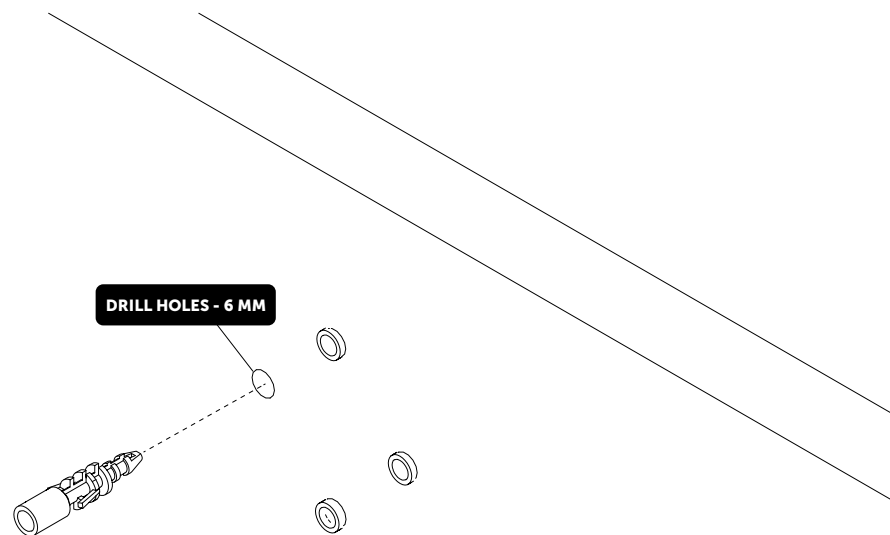


2 MEASURE AND MARK FIXING HOLES.

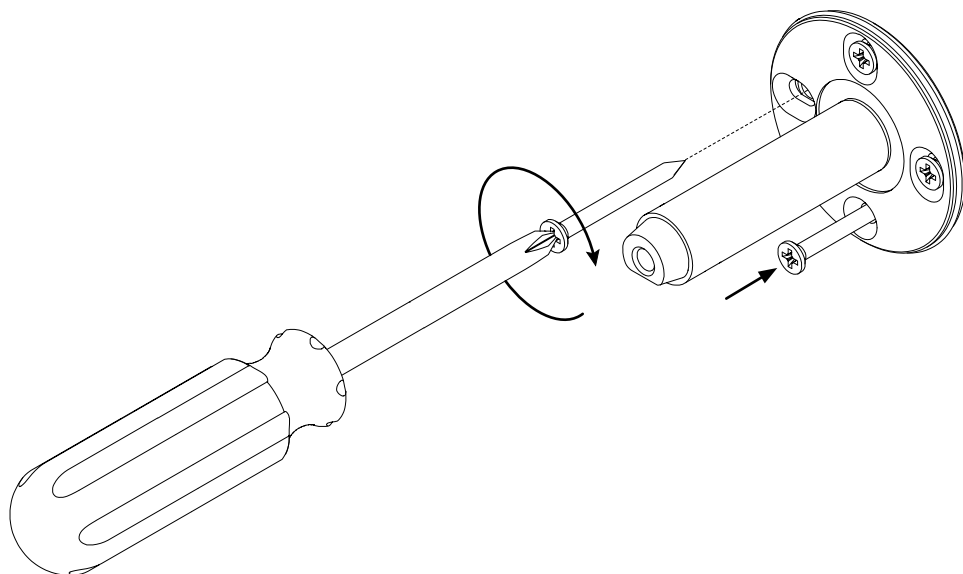
SMALL - 250 MM
MEDIUM - 545 MM



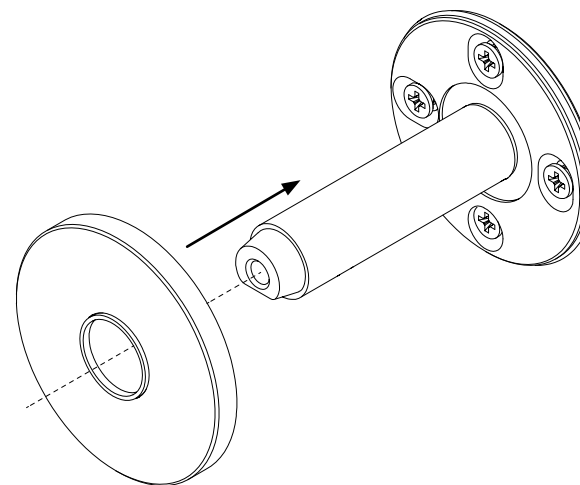
3 DRILL HOLES IN WALL / SURFACE AND INSERT WALL PLUGS.



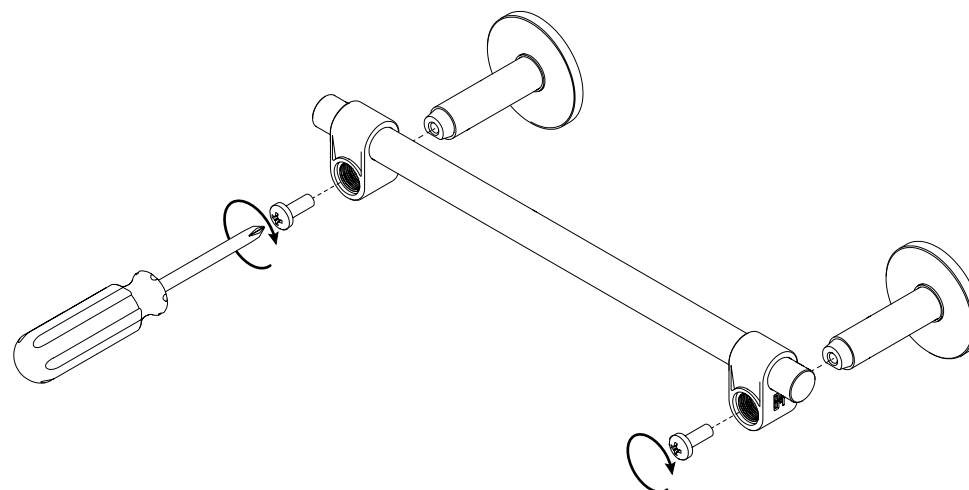
4 SCREW FIXING ROSE TO WALL.



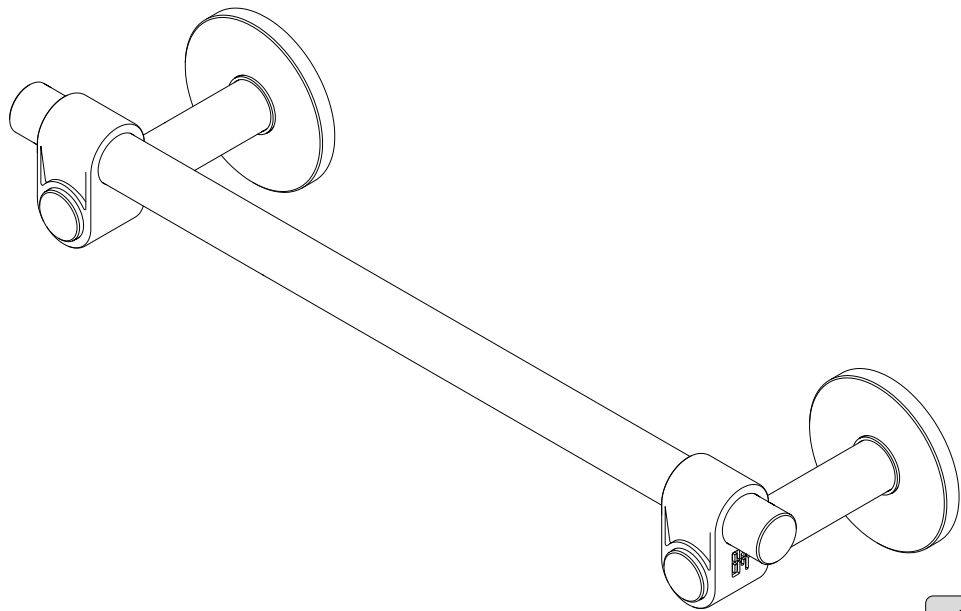
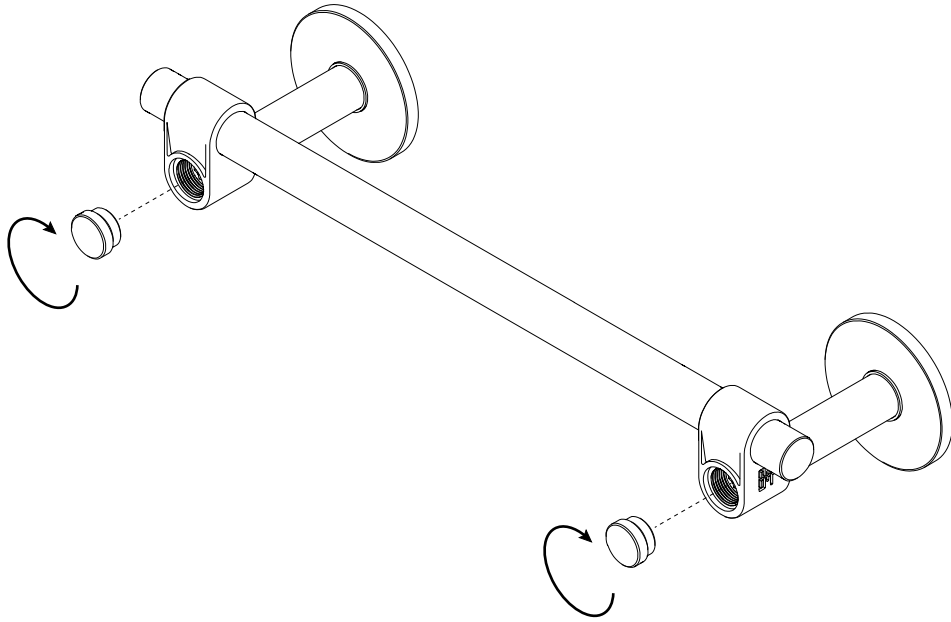
5 FIT COVER PLATE TO FIXING ROSE.



6 ATTACH TOWEL RAIL.



7 SCREW IN END CAPS.



[end. **ORDINARY**]