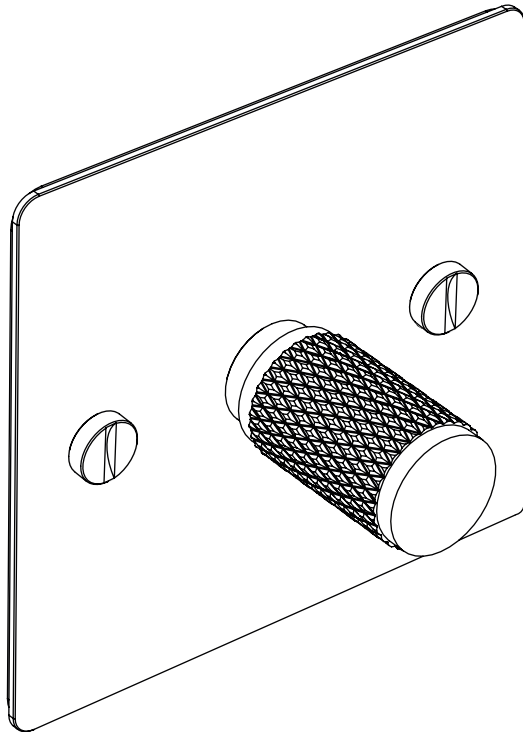




ELECTRICITY
1-4G PREMIUM LED PUSH DIMMER
INSTALLATION MANUAL



BUSTERANDPUNCH.COM
L0074

DIMMER TECHNICAL SPECIFICATION:

DIMMER STYLE

1G, 2G, 3G, 4G Premium LED Push Dimmer.
RATED AT 230-240V 50HZ PER GANG

LED / CFL	HALOGEN / INCANDESCENT	
1, 2, 3, 4 GANG	1 GANG	2, 3, 4 GANG
5-120 W max	400W max	250W max



IMPORTANT NOTES:

PLEASE READ BEFORE INSTALLING.

1. These products must be installed in accordance with the latest Building and IEE wiring regulations. If in any doubt, please contact a qualified electrician.
2. This dimmer is only suitable for incandescent, halogen, dimmable LED and dimmable LED-filament bulbs, but is not suitable for non dimmable LED or any CFL bulbs.
3. Dimmer comes set in Trailing Edge mode as factory default. Please check with an electrician whether your circuit is Trailing or Leading Edge, and follow the instructions to change modes if required.

BACK BOXES:

We recommend you to use a UK back box to install your product. Please note that the minimum recommended depth for the mounting box is 47 mm. Back boxes are available to purchase from us, please see recommended sizes below:

DIMMER PLATE	RECOMMENDED BACKBOX - METAL	RECOMMENDED BACKBOX - DRY LINING
1G-2G	1G UK Metal Back Box – SKU: SB618	1G UK Plastic Back Box – SKU: SB632
3G-4G	2G UK Metal Back Box – SKU: SB628	2G UK Plastic Back Box – SKU: SB631

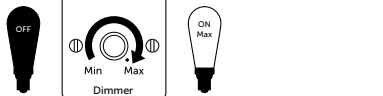
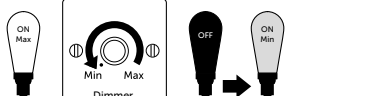
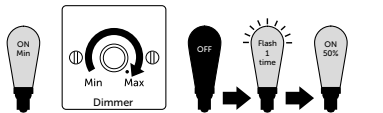
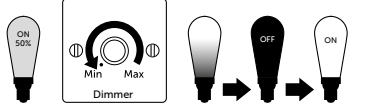
RECYCLING ELECTRICAL PRODUCTS:

Buster and Punch encourages all of its customers to make note of this symbol and avoid putting any waste electrical goods in your domestic waste bin or container. Please ensure you take your waste electrical goods to a suitable facility for disposal.



MINIMUM BRIGHTNESS LEVEL SETTING:

How to set the minimum brightness level:

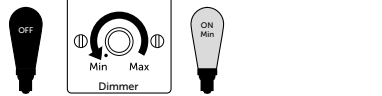
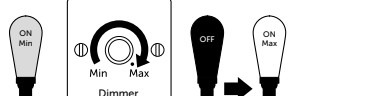
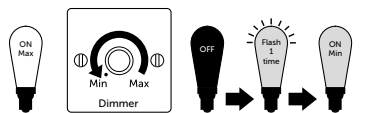
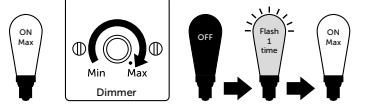
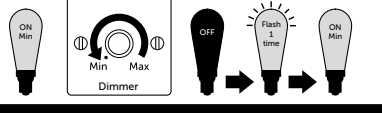
OPERATION STEPS	ACTIONS
	With the Lamp in an OFF state, at maximum position, push ON and wait 5 seconds until lamp stabilises.
	Turn to minimum position. Push OFF and push ON again.
	Turn to maximum position. Push OFF and push ON again. The lamp will appear to flash once at half-brightness level. You have now entered Minimum Dim Setting Mode.
	Set your desired minimum brightness level. Push OFF and ON once. The lamp will appear at half-brightness level then return to normal brightness level relative to dimmer position. It has now configured and saved your settings.

EACH STEP MUST BE PERFORMED WITHIN 10 SECONDS, IF NOT, IT WILL TIME OUT AND EXIT WITHOUT SAVING. TO TERMINATE THE SETTING MODE, PUSH OFF WHILST THE LAMP IS FLASHING.

MODE SETTING:

How to set Trailing Edge (TE) or Leading Edge (LE) Mode.
(Factory default is TE mode):

To set LE mode follow steps 1-4. To revert back to TE mode, follow steps 1-3 and 5.

OPERATION STEPS	ACTIONS
	Set the lamp to minimum position whilst in OFF state. Wait for around 5 seconds to push ON, until the lamp appears stable.
	Turn to maximum position. Push OFF and push ON again.
	Turn to minimum position. Push OFF and push ON again. The lamp will appear to flash 4 times at half-brightness level. You can now either follow step 4 to enter LE mode or step 5 to enter TE mode.
TO SELECT LE MODE	
	Turn to maximum position, push OFF and push ON at max brightness level to confirm and save setting with flash 3 times.
TO SELECT TE MODE (FACTORY DEFAULT)	
	At minimum position, push OFF and push ON at minimum brightness level to confirm and save setting your desired setting. The lamp will flash once.

EACH STEP MUST BE PERFORMED WITHIN 10 SECONDS, IF NOT, IT WILL TIME OUT AND EXIT WITHOUT SAVING.

- 1 BEFORE COMMENCING WORK, ISOLATE THE MAINS POWER SUPPLY AND REMOVE THE FUSE IN THE FUSE BOX OR SWITCH OFF THE CIRCUIT BREAKER IN THE CONSUMER UNIT.**



EN: DISCONNECT POWER BEFORE INSTALLATION.
 SE: KOPPLA BORT STRÖMMEN FÖRE INSTALLATIONEN.
 FR: DÉBRANCHEZ L'ALIMENTATION AVANT L'INSTALLATION.
 DE: TRENNEN SIE DIE STROMVERSORGUNG VOR DER INSTALLATION.
 SP: DESCONECTE LA ENERGÍA ANTES DE LA INSTALACIÓN.
 IT: SCOLLEGARE L'ALIMENTAZIONE PRIMA DELL'INSTALLAZIONE.
 PT: ODŁĄCZ ZASILANIE PRZED INSTALACJĄ.
 RU: ОТКЛЮЧИТЕ ПИТАНИЕ ПЕРЕД УСТАНОВКОЙ.
 PL: ODŁĄCZ ZASILANIE PRZED INSTALACJĄ.
 AR: بغيركارت لالتيق ذق اطال لىف ا
 HI: इन्स्टॉल करने से पहले बजिली को ढसिकनेकट करे।
 JP: 設置する前に電源を切ってください。
 KO: 설치에 앞서 먼저 전원을 차단합니다.
 ZH: 安装前请断开电源。



- 2 IF UNIT IS TO BE USED AS A REPLACEMENT FOR AN EXISTING PRODUCT, REMOVE EXISTING UNIT FROM ITS LOCATION AND DISCONNECT THE WIRING.**



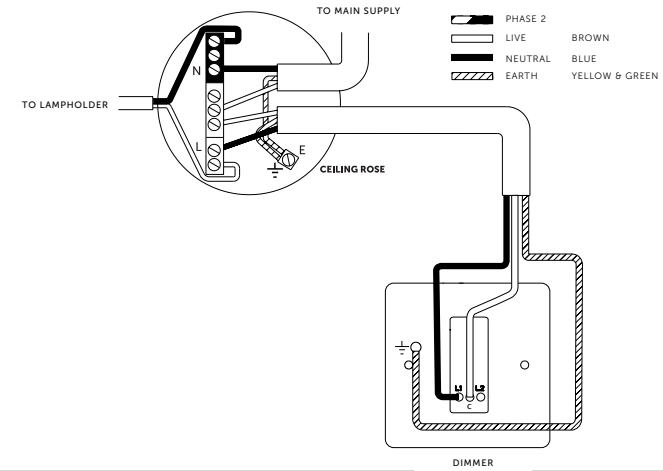
VERIFY POWER IS OFF TO SWITCH BEFORE PROCEEDING.

- 3 CONNECT THE WIRES AS SHOWN IN APPROPRIATE WIRING DIAGRAMS. USE GREEN/YELLOW SLEEVING ON EARTH CONDUCTORS NOT INSULATED. ENSURE TERMINALS ARE PROPERLY TIGHTENED AND NO BARE WIRE IS VISIBLE. PUSH BACK UNIT INTO MOULDING BOX MAKING SURE CONDUCTORS ARE NOT TRAPPED.**

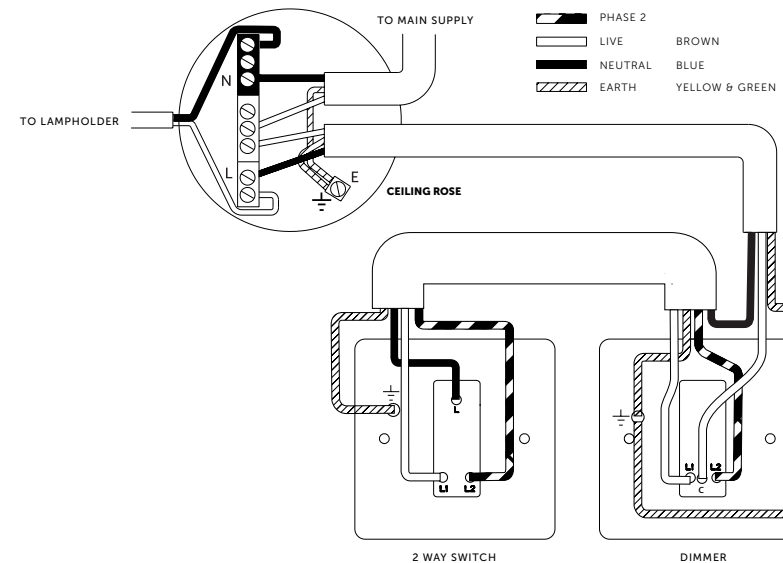
IF INSTALLING STANDARD INCANDESCENT BULBS, CHECK THE TOTAL LOAD OF THE MODULE IS BETWEEN 60W AND 400W MAX.

IF INSTALLING LED BULBS, CHECK THE TOTAL LOAD OF THE MODULE IS BETWEEN 5W AND 120W MAX.

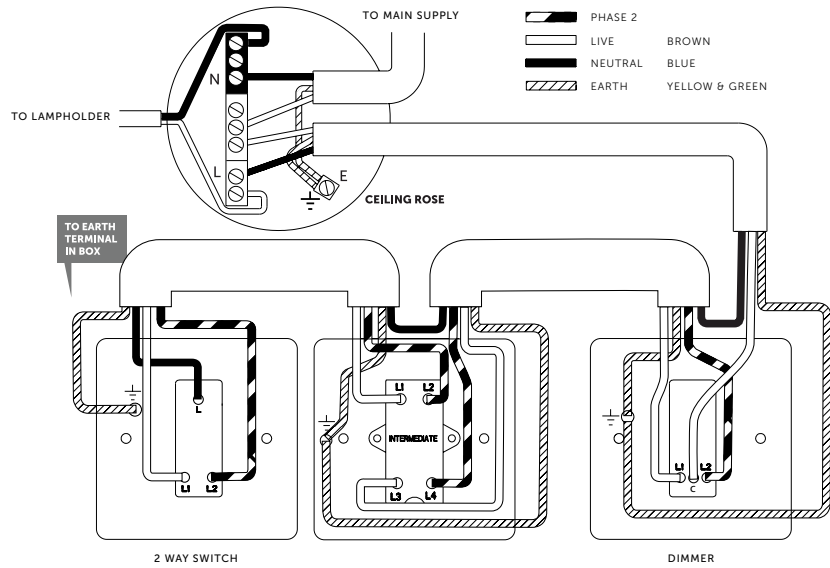
DIMMER ON 1 WAY CIRCUIT



DIMMER ON 2 WAY CIRCUIT

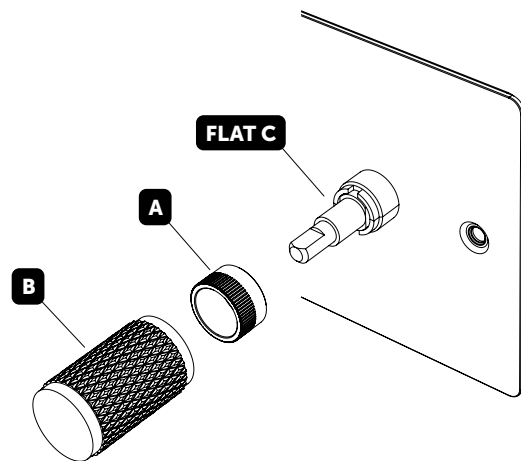


DIMMER ON 3 WAY CIRCUIT

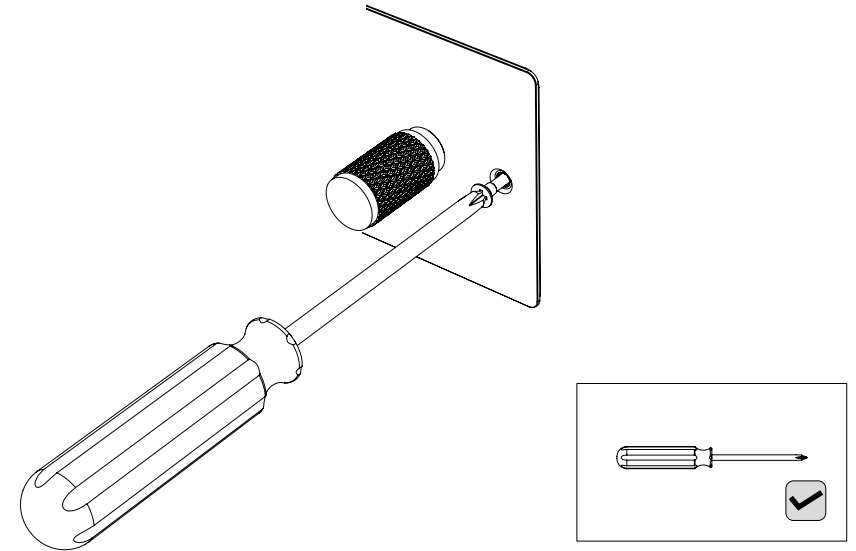


4 YOUR PRODUCT IS SUPPLIED IN 2 BOXES, ONE BOX CONTAINING THE SWITCH PLATE AND A FURTHER BOX CONTAINING THE DETAILS KIT. OPEN THE DETAILS KIT BOX AND INSTALL THE PLATE AS FOLLOWS.

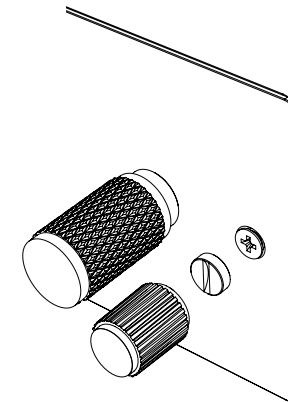
A) BY HAND, SCREW NUT (A) IN PLACE (ORIENTATE AS SHOWN). ALIGN FLAT (C) TO THE CORRESPONDING FLAT ON THE INSIDE OF THE DIMMER KNOB (B). PUSH THE DIMMER KNOB IN PLACE BY HAND.



B) USE A CROSS HEAD ELECTRIC OR MANUAL SCREWDRIVER TO FIT THE SPECIAL COUNTERSUNK SCREWS UNTIL TIGHT*.



C) BY HAND, SCREW THE COIN CAPS INTO THE END OF THE SCREWS. USE THE PLASTIC COIN CAP TOOL TO FULLY TIGHTEN THE COIN CAPS**.



* Please ensure screws are sufficiently tight to support the product but please do not over tighten as this may cause some deformation to the plate or damage the screw.

** Do NOT use a standard screw driver to tighten the coin caps. This may damage the cap and is not covered under warranty. Plastic coin cap tool must be used by hand only.

5



**TO REDUCE THE RISK OF DISCOLOURATION OR
TARNISHING, AVOID INSTALLATION ON WET PLASTER.**

6 **TURN POWER BACK ON.**



[end. **ORDINARY**]