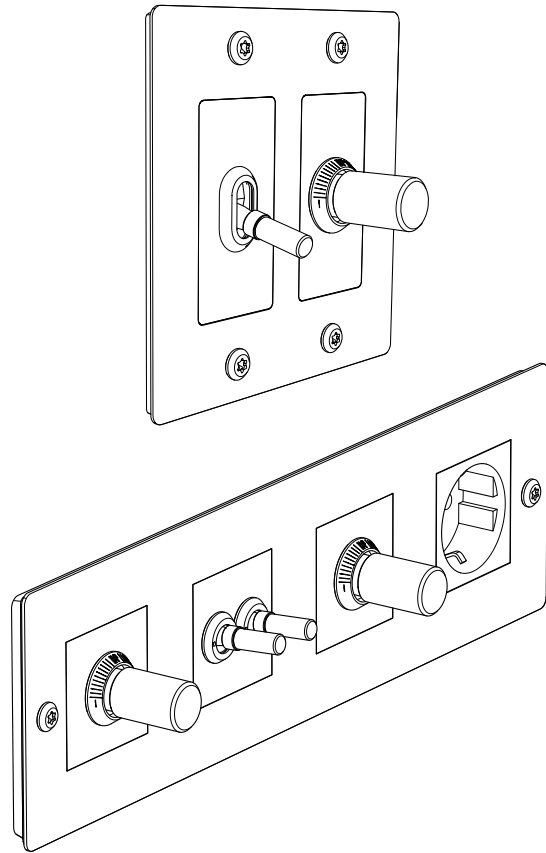


BUSTER + PUNCH
LONDON

ELECTRICITY
MODULAR PLATE ASSEMBLY



BUSTERANDPUNCH.COM

CONTENTS

US / CANADA

2

EUROPE

4

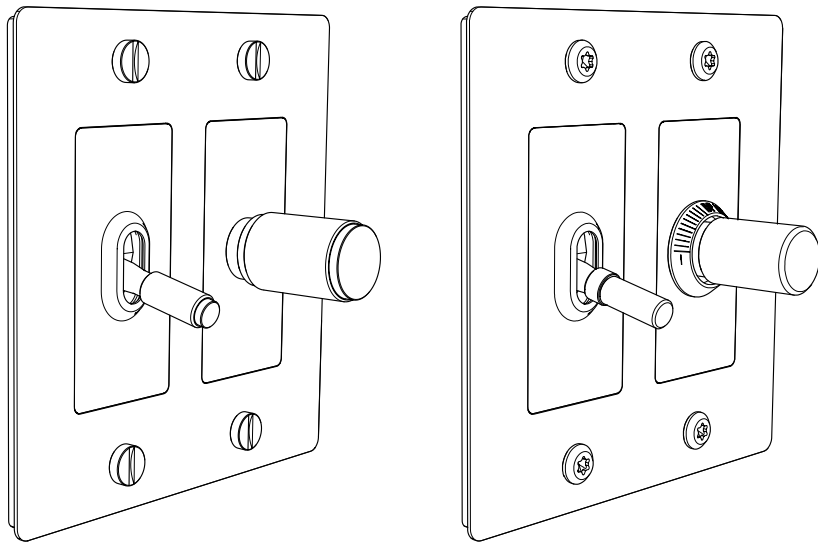
[end. **ORDINARY.**]

BUSTER + PUNCH
LONDON

US ELECTRICITY

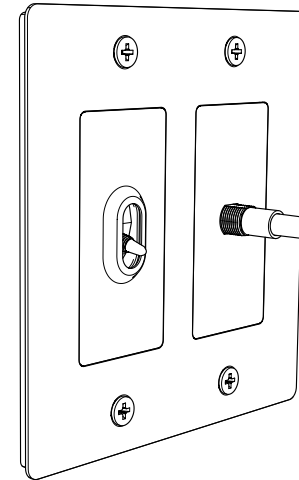
**CROSS / LINEAR
DETAILS KIT**

INSTRUCTION MANUAL US
MANUEL D'UTILISATION É.-U.
MANUAL DE INSTRUCCIONES (EE. UU.)



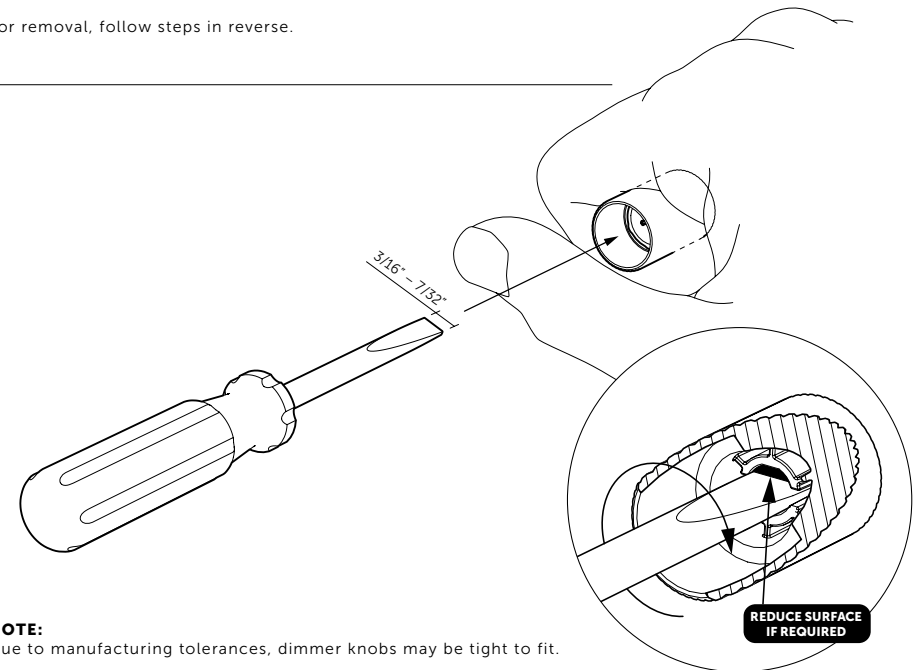
US.BUSTERANDPUNCH.COM
L0260

For wiring and plate installation, refer to module instruction manual.



NOTE:

For removal, follow steps in reverse.



NOTE:

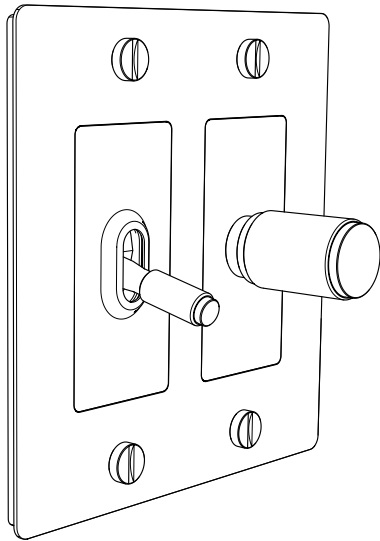
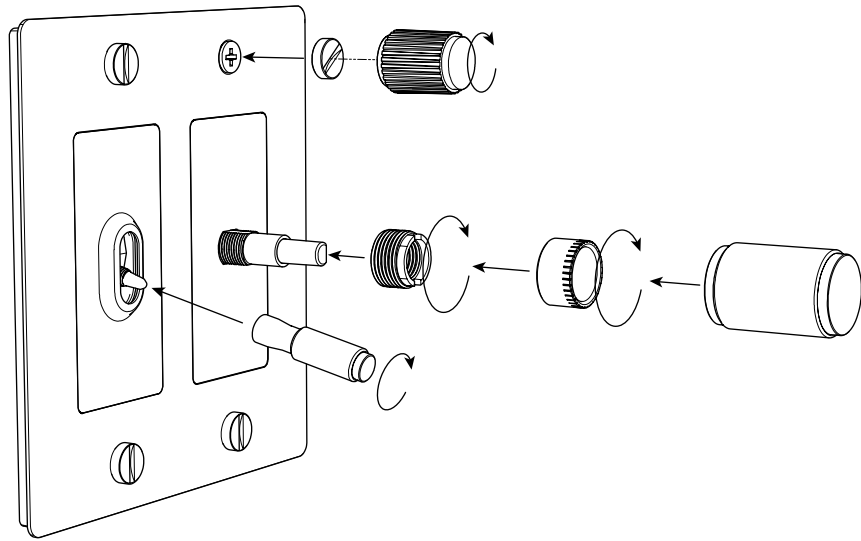
Due to manufacturing tolerances, dimmer knobs may be tight to fit.

To allow for easier assembly, insert a 3/16" – 7/32" (5 – 5.5mm) flat head screwdriver and rotate 360° to remove excess material from the flat section of the insert.

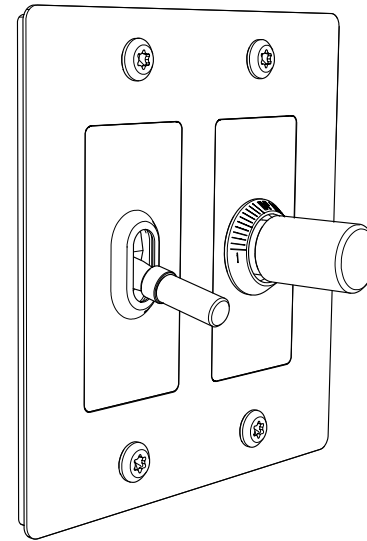
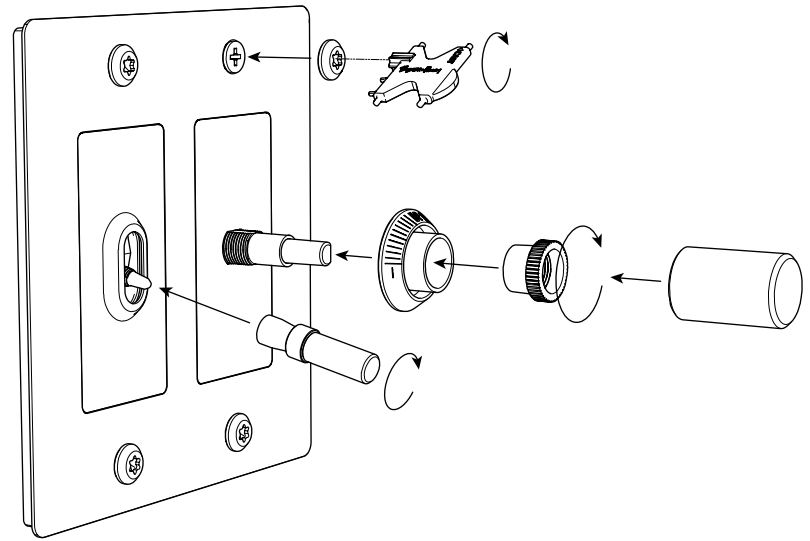
There will be some resistance (a little more than turning a key in a lock) and a small amount of material may come loose – this is normal.

Ensure screwdriver is held straight to avoid misalignment and off-center rotation when installed.

CROSS DETAILS:



LINEAR DETAILS:

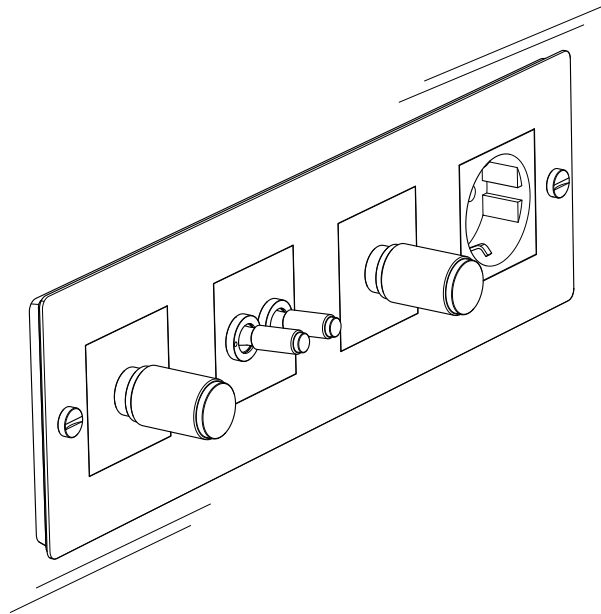


BUSTER + PUNCH

LONDON

EU ELECTRICITY

Modular Assembly



BUSTERANDPUNCH.COM
L0216



RECYCLING ELECTRICAL PRODUCTS

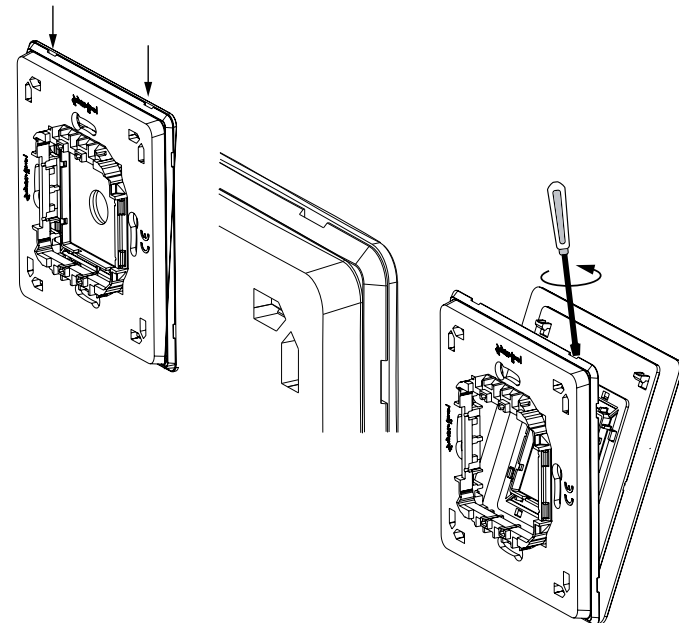
Buster + Punch encourages all of its customers to make note of this symbol and avoid putting any waste electrical goods in your domestic waste bin or container. Please ensure you take your waste electrical goods to a suitable facility for disposal.



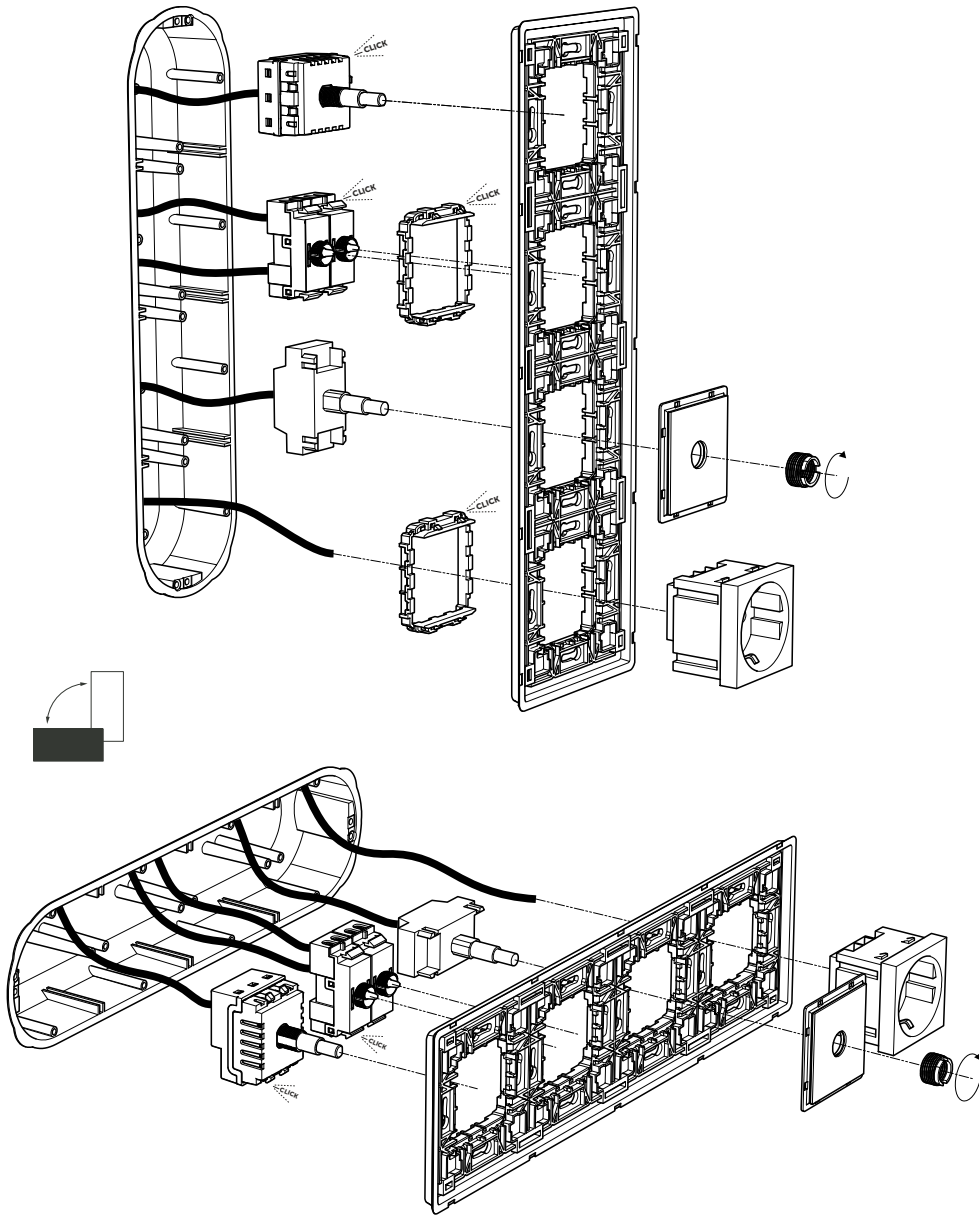
BEFORE COMMENCING WORK, ISOLATE THE MAINS POWER SUPPLY AND REMOVE THE FUSE BOX OR SWITCH OFF THE CIRCUIT BREAKER IN CONSUMER UNIT.



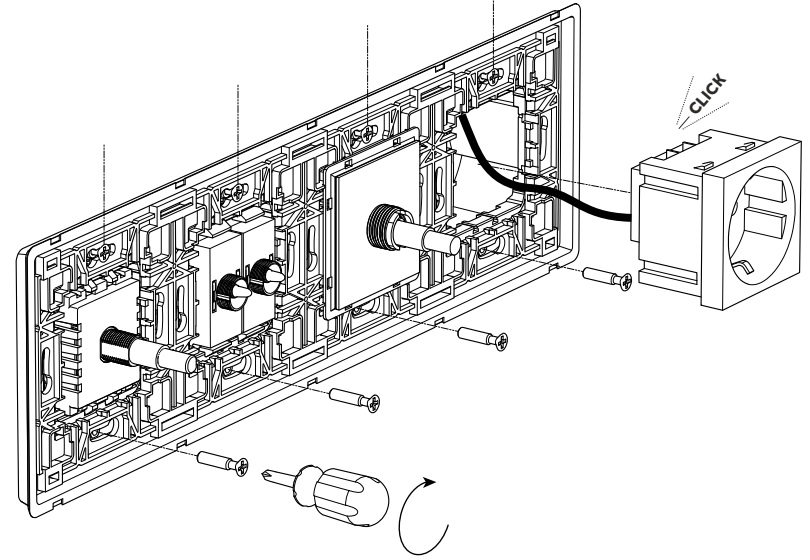
1



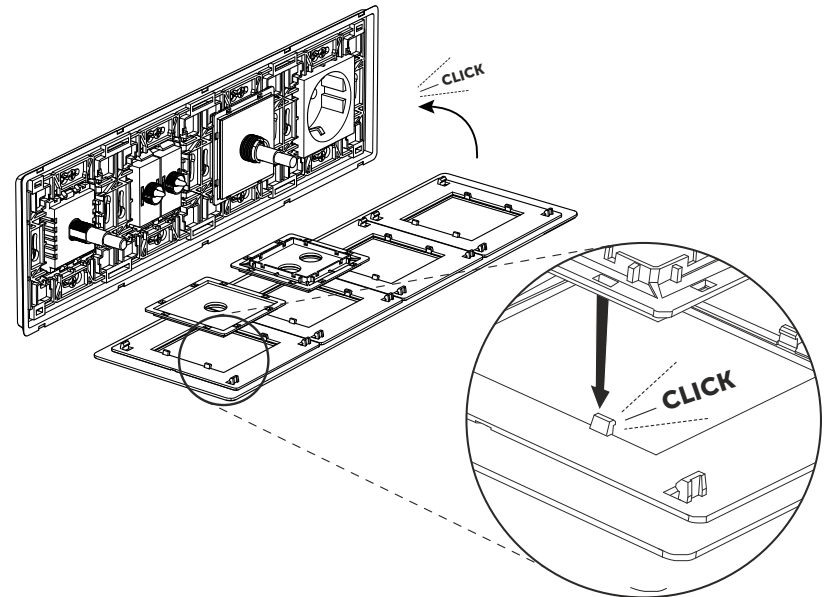
2



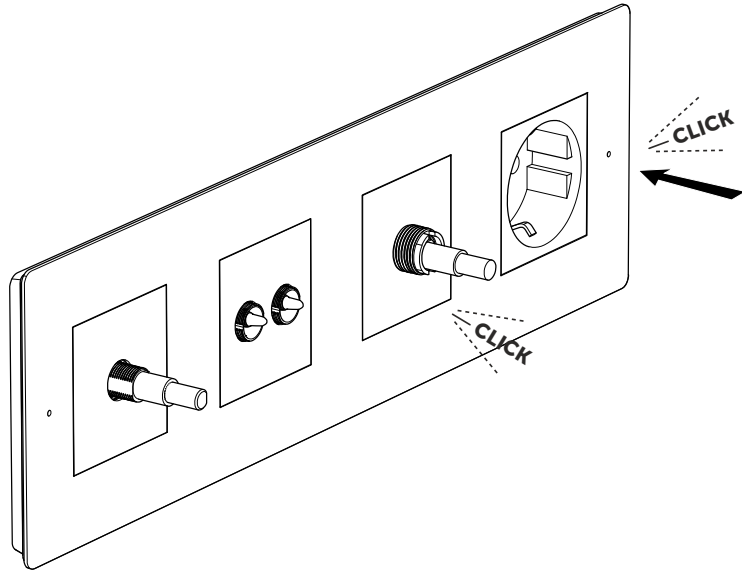
3



4



5



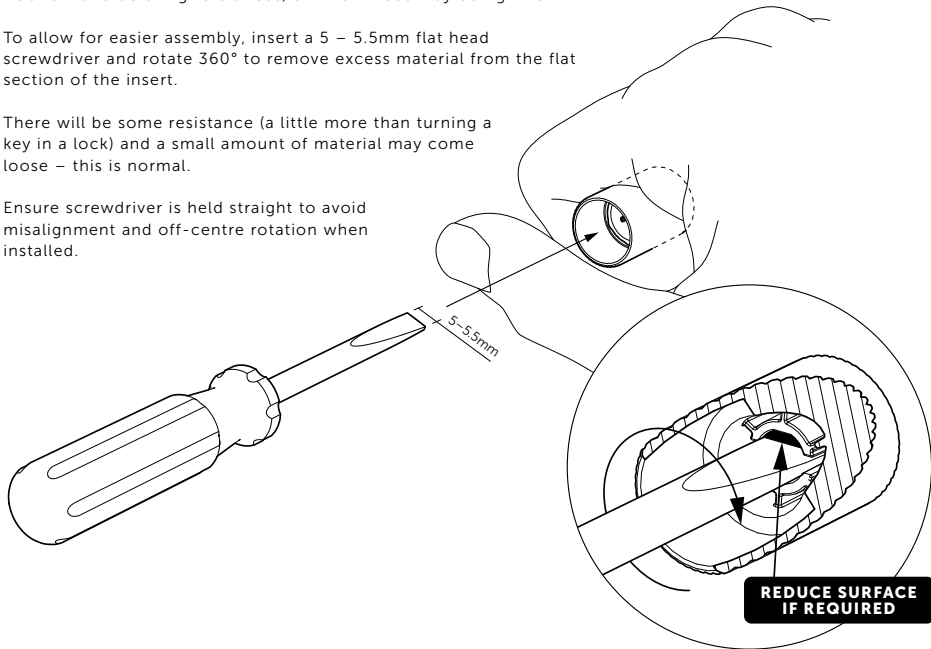
NOTE:

Due to manufacturing tolerances, dimmer knobs may be tight to fit.

To allow for easier assembly, insert a 5 – 5.5mm flat head screwdriver and rotate 360° to remove excess material from the flat section of the insert.

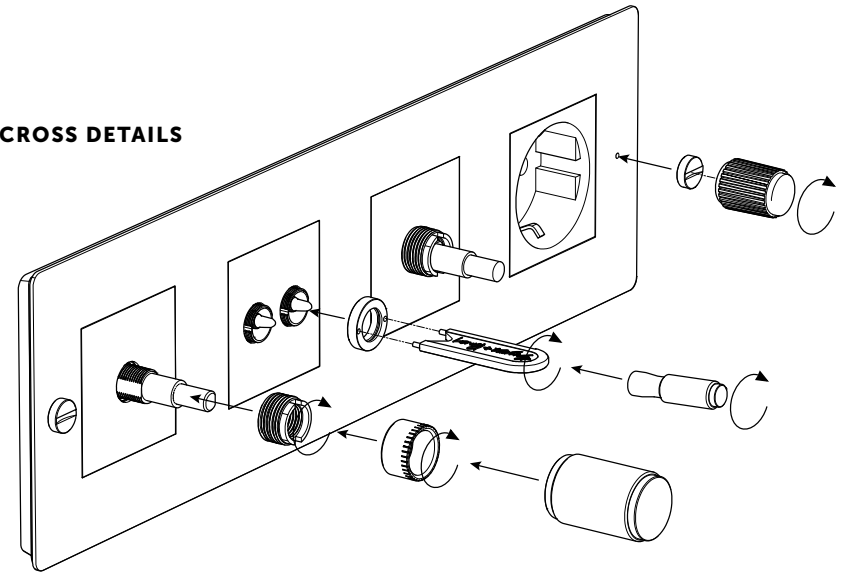
There will be some resistance (a little more than turning a key in a lock) and a small amount of material may come loose – this is normal.

Ensure screwdriver is held straight to avoid misalignment and off-centre rotation when installed.

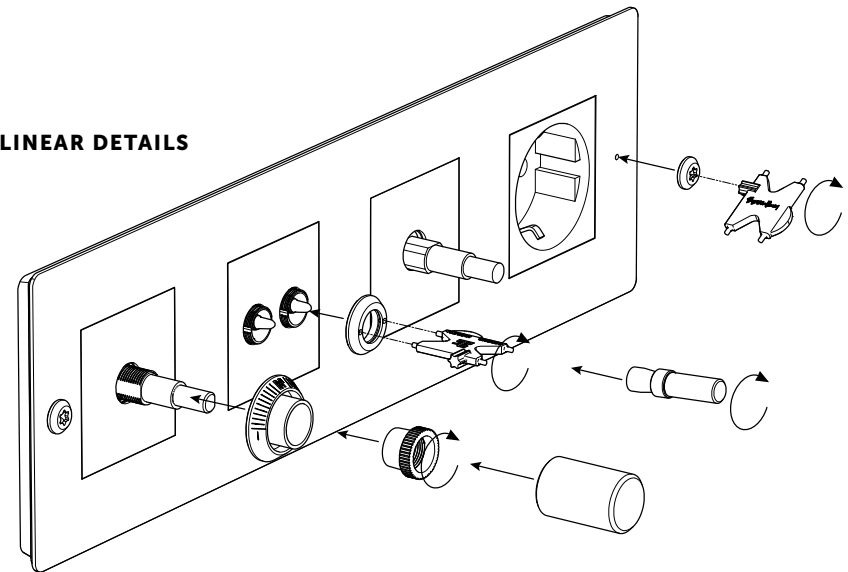


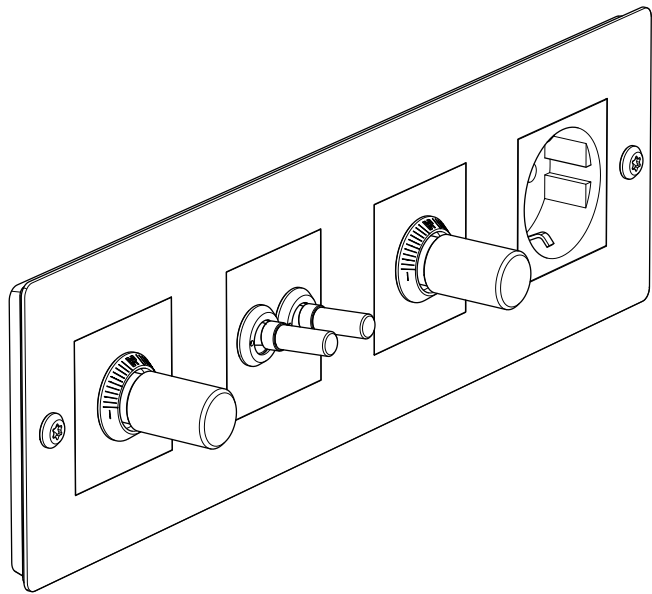
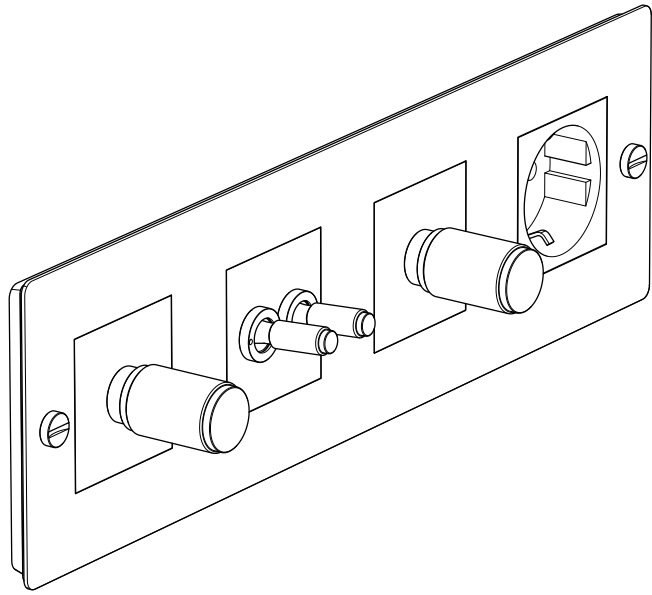
6

CROSS DETAILS



LINEAR DETAILS





[end. **ORDINARY.**]