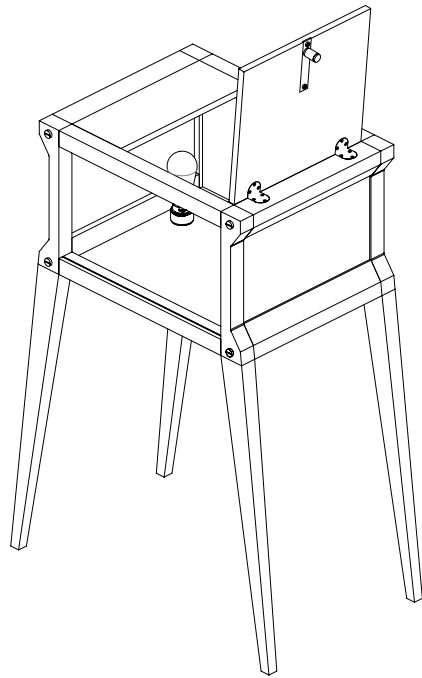


**POPSTAR BAR**  
**INSTALLATION MANUAL**



Buster and Punch encourages all of its customers to make note of this symbol and avoid putting any waste electrical goods in your domestic waste bin or container. Please ensure you take your waste electrical goods to a suitable facility for disposal.

**CONTENTS**

- 1 X popstar body
- 4 X screws
- 2 X leg assemblies

**THE POPSTAR BAR / INSTALLATION**

**VOLTAGE:**

240V, 50Hz

**CARE INSTRUCTIONS:**

Use mild detergent and soft damp cloth

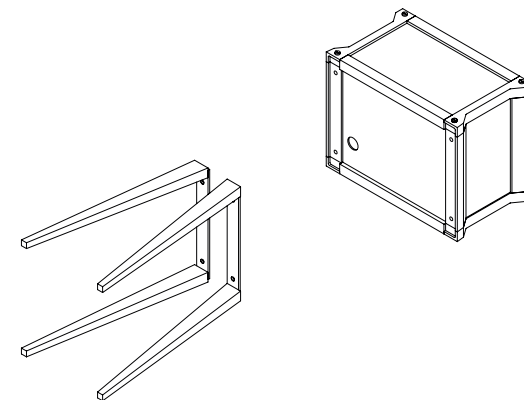
**IMPORTANT SAFETY INSTRUCTIONS:**

This appliance is not to be used by persons (including children) with reduced physical, sensory or mental capabilities, or lack of experience and knowledge, unless under strict supervision by a capable adult.

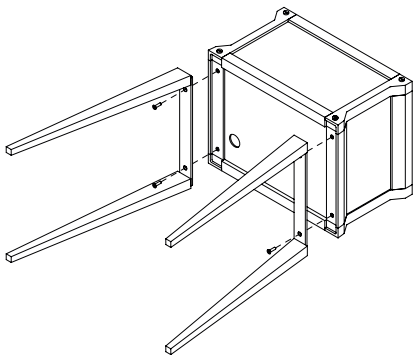
This appliance is not to be used by children.

If the external cable or cord of this product is damaged it should be replaced by the manufacturer or his service agent in order to avoid a hazard.

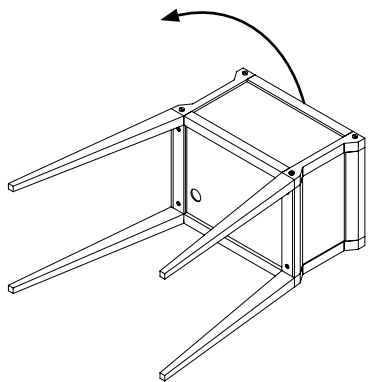
**1 USING A SHEET FOR PROTECTION UNDERNEATH, KEEP THE POPSTAR ON ITS BACK.**



- 2** PLACE THE LEGS UP AGAINST THE BASE OF THE POPSTAR BODY MAKING SURE THE HOLES ARE ALIGNED. USING THE SCREWS SUPPLIED, SCREW IN THE METAL PLATE MAKING SURE IT IS FLAT AGAINST THE BASE.

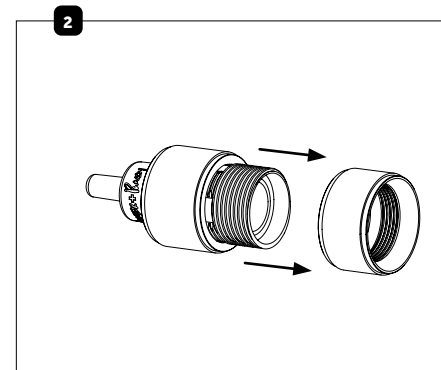
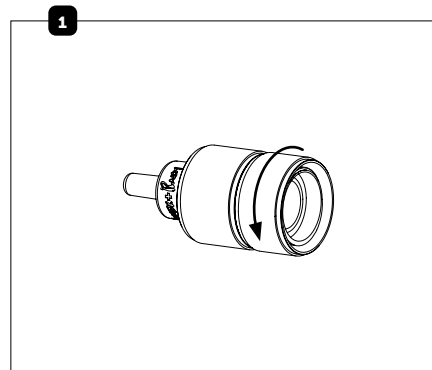


- 3** ENSURING THE SCREWS ARE PROPERLY INSTALLED. CAREFULLY STAND THE POPSTAR UPRIGHT.

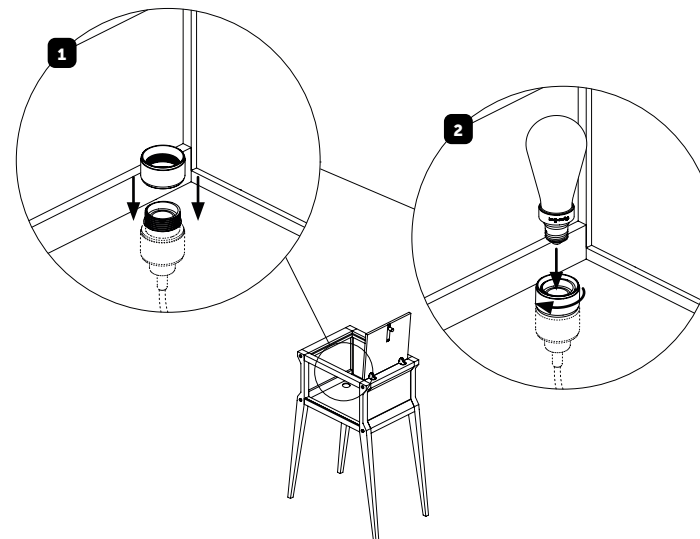


**SUPPORT THE CHANDELIER WEIGHT APPROPRIATELY BEFORE DISCONNECTING ANY SUSPENSION CABLES.**

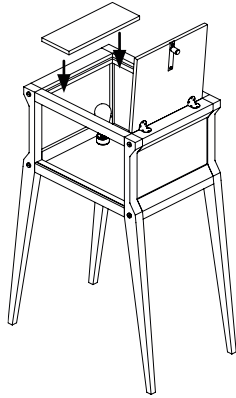
- 4** UNSCREW THE SMALLER METAL RING FROM THE LIGHT FITTING.



- 5** FEED LIGHT FITTING THROUGH HOLE IN THE BOTTOM OF THE BAR. RE-ATTACH METAL RING BACK ONTO THE LIGHT FITTING, THROUGH THE METAL CAGE. FIX LIGHT BULB INTO LIGHT FITTING.



**6** TAKE MARBLE OUT OF PACKAGING AND PLACE ON TOP OF BAR FRAME NEXT TO WHERE THE DOOR CLOSSES. PLUG IN THE LIGHT CABLE. CONGRATULATIONS, YOU'RE A POPSTAR!



---

[end. **ORDINARY** ]

